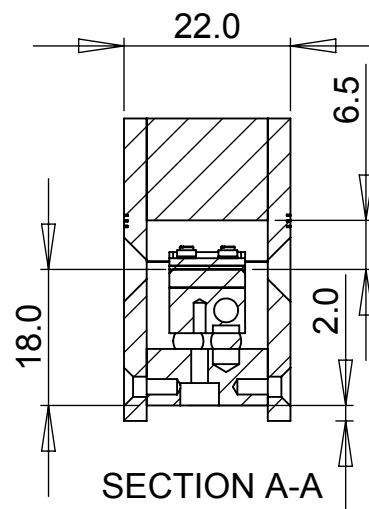
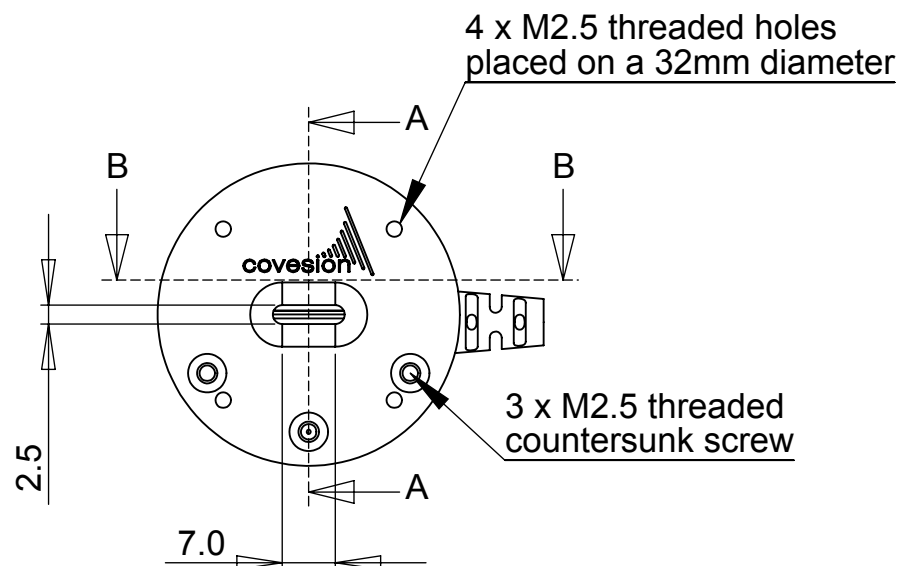
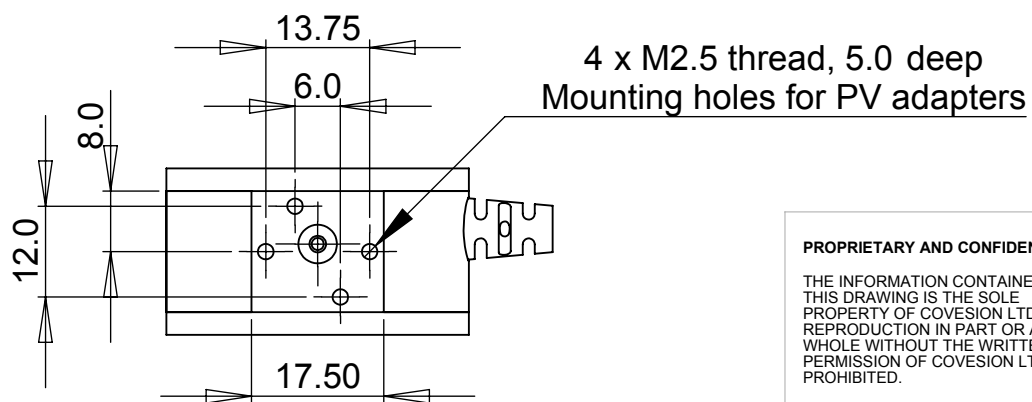


SECTION B-B



SECTION A-A



OUTLINE DRAWING
NOT FOR MANUFACTURE

UNLESS OTHERWISE SPECIFIED:

DIMENSIONS ARE IN MILLIMETRES
WHERE NOT STATED, DIMENSIONS
ARE TAKEN TO BE SYMMETRICAL

TOLERANCES:
N/A

MATERIAL N/A

FINISH N/A

DO NOT SCALE DRAWING

TITLE: 10mm PPLN oven



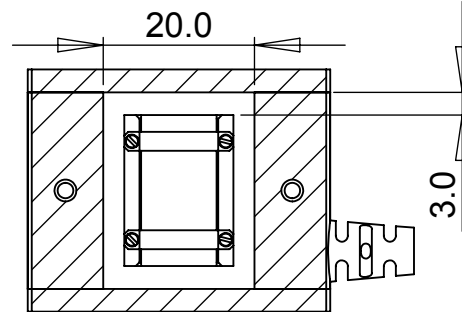
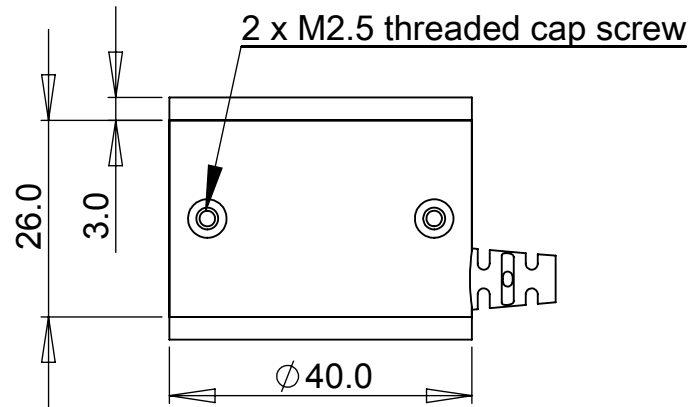
SIZE DWG. NO.
A PV10

REV

SCALE: 1:1

PROPRIETARY AND CONFIDENTIAL

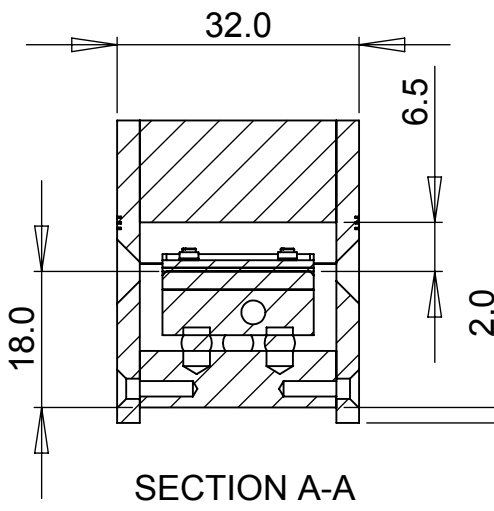
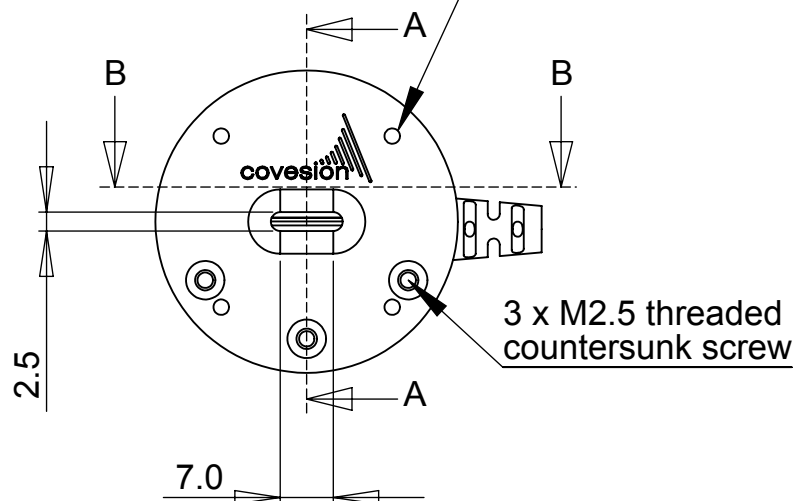
THE INFORMATION CONTAINED IN
THIS DRAWING IS THE SOLE
PROPERTY OF COVESION LTD. ANY
REPRODUCTION IN PART OR AS A
WHOLE WITHOUT THE WRITTEN
PERMISSION OF COVESION LTD. IS
PROHIBITED.



SECTION B-B



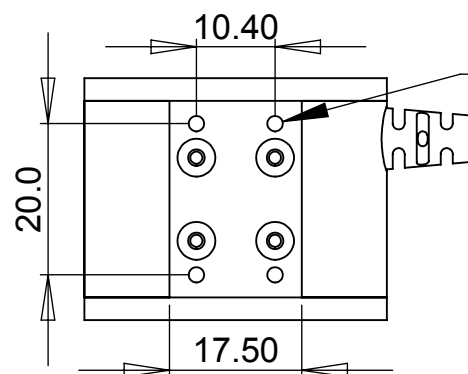
4 x M2.5 threaded holes placed on a 32mm diameter



SECTION A-A

OUTLINE DRAWING
NOT FOR MANUFACTURE

4 x M2.5 thread, 5.0 deep
Mounting holes for PV adapters



UNLESS OTHERWISE SPECIFIED:

DIMENSIONS ARE IN MILLIMETRES
WHERE NOT STATED, DIMENSIONS
ARE TAKEN TO BE SYMMETRICAL

TOLERANCES:
N/A

MATERIAL N/A

FINISH N/A

DO NOT SCALE DRAWING

TITLE: 20mm PPLN oven



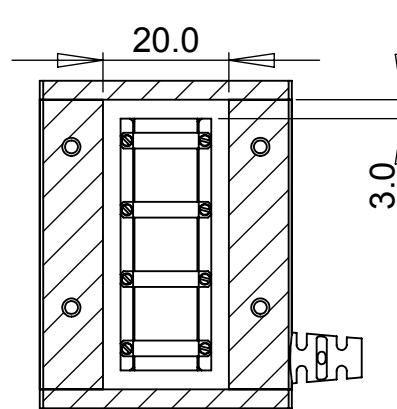
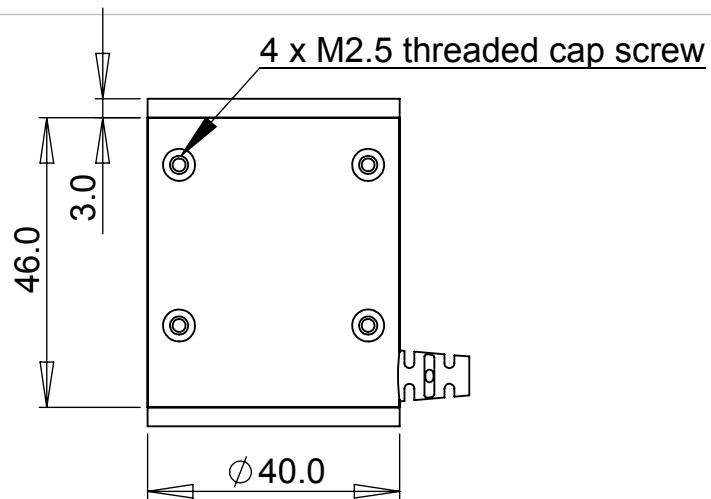
SIZE DWG. NO.
A PV20

REV

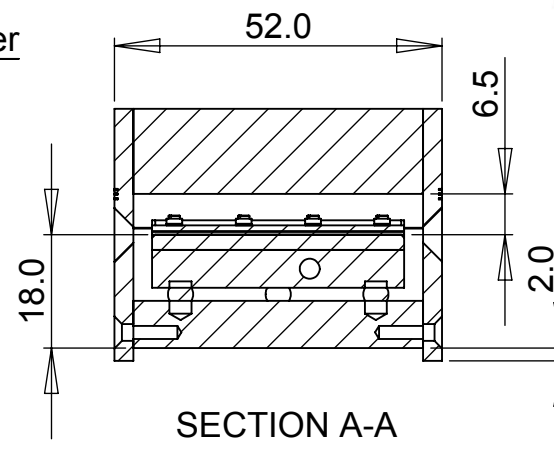
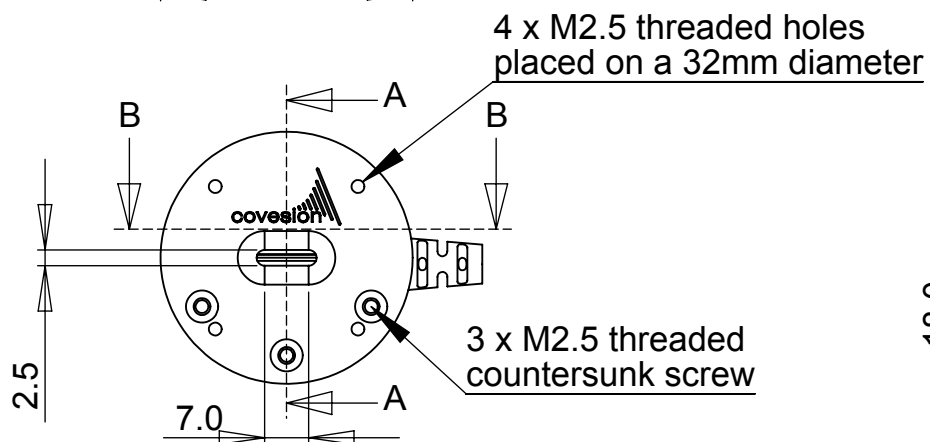
SCALE: 1:1

PROPRIETARY AND CONFIDENTIAL

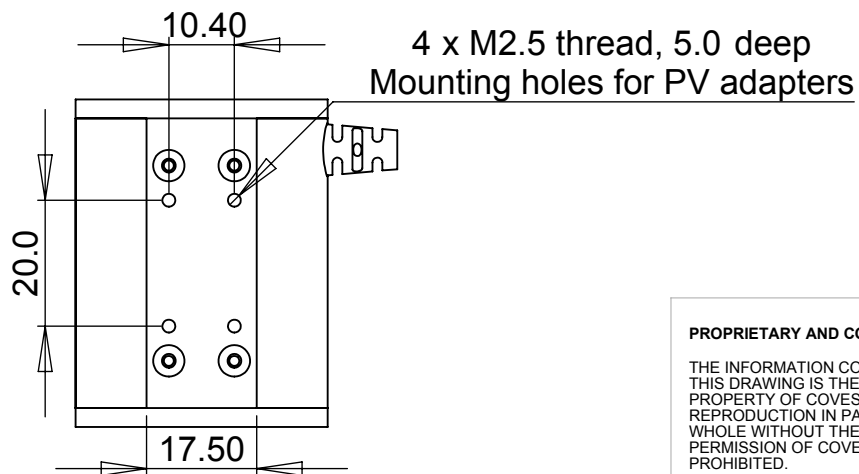
THE INFORMATION CONTAINED IN
THIS DRAWING IS THE SOLE
PROPERTY OF COVESION LTD. ANY
REPRODUCTION IN PART OR AS A
WHOLE WITHOUT THE WRITTEN
PERMISSION OF COVESION LTD. IS
PROHIBITED.




SECTION B-B



SECTION A-A



OUTLINE DRAWING
NOT FOR MANUFACTURE

| | | | |
|--|-----|---|-----|
| UNLESS OTHERWISE SPECIFIED: | | TITLE: 40mm PPLN oven | |
| DIMENSIONS ARE IN MILLIMETRES WHERE NOT STATED, DIMENSIONS ARE TAKEN TO BE SYMMETRICAL | |  | |
| TOLERANCES: N/A | | | |
| MATERIAL | N/A | SIZE DWG. NO. | REV |
| FINISH | N/A | A PV40 | |
| DO NOT SCALE DRAWING | | SCALE: 1:1.2 | |

PROPRIETARY AND CONFIDENTIAL

THE INFORMATION CONTAINED IN THIS DRAWING IS THE SOLE PROPERTY OF COVESION LTD. ANY REPRODUCTION IN PART OR AS A WHOLE WITHOUT THE WRITTEN PERMISSION OF COVESION LTD. IS PROHIBITED.